

4200 SERIES

Condensate Pumps - Cast Iron Tank



Technical Specifications

Sterlco® 4200 Series Condensate Pumps set new standards of performance. Reliable and efficient, each unit features heavy duty cast iron steel receivers for long operating life.

In addition, 3450 RPM motors assure maximum efficiency while maintaining minimum motor horsepower. Available in a wide range of sizes, these U.S. made pumps have just the right accessories and options to meet your unique needs. What's more, a nationwide network of stocking distributors means fast, easy, year-round access to pumps and replacement parts.

Features

Standard Features

- Heavy-duty cast iron receivers
- Simplex or duplex construction
- Bronze fitted centrifugal pumps
- Energy efficient 3450 RPM motors
- Automatic venting
- "Sterl-Seal" ceramic pump seal (250°F)
- Heavy-duty float switch
- Wide range of options and accessories

Optional Features

- Mechanical and electrical alternators
- Gauge glass
- Thermometer
- Discharge pressure gauges
- Isolation valves
- Special motor construction, such as totally enclosed, washdown duty and explosion proof is available
- Magnetic starters with H-O-A selector switches
- 1750 RPM motors, larger pumping capacities and higher discharge pressures - consult factory
- Elevated tanks are available
- Complete NEMA 12 Control Panel



Product Features



Motors:

Heavy-duty, ballbearing, close-coupled pump motors with stainless steel shaft. 3450 RPM for greater efficiency and more economical operation.

Float Switch:

Two-pole, drip proof case, stainless steel float and float rod, double-break silver-to-silver contacts. Float

travel adjustment is easy, visible and accessible.

Automatic Venting:

Provides for efficient operation and long life by venting air and flushing seal area.

Large Tanks:

Plenty of capacity for maximum rating of pump. Return inlet is low. Occupies a minimum of floor space

Centrifugal Pump:

Offers a wide range of pressures and GPM. Unique design features provide for ease of servicing.

Impeller:

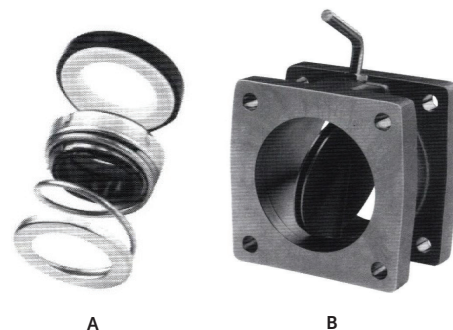
Made of brass for long life. Efficient design provides maximum capacity, minimum motor load.

“SterlSeal” Pump seal (A):

Features the ultimate in ceramic technology for exceptionally long life. Because the seal runs on the bronze impeller hub, the motor shaft is literally outside the pump. Consequently, the shaft is not exposed to corrosion by condensate. Rated for temperatures up to 250°F.

Isolation Valve (B):

Optional on 4200 Series Condensate Pumps. Allows removal of pump without draining the tank.



Control Panel

Complete NEMA 12 Control Panel (Optional)

- Motor Circuit Protector
- HOA Selector Switch
- External Reset
- Control Circuit Transformer
- Pilot Light (pump running)
- Removable Mounting Plate and Terminal Strip in a Single NEMA 12 Enclosure
- Mounted and Wired with Single Point Power Connection.

Specifications

4200 Series Engineering and Capacity Data

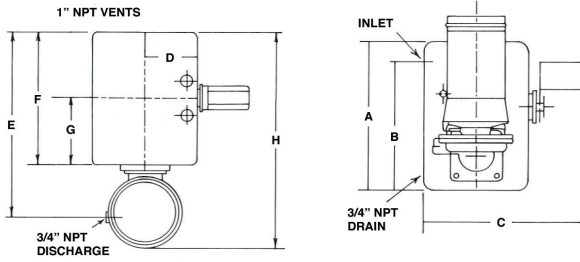
Capacity Sq. Ft. EDR	Discharge Pressure PSI	Pump Capacity, GPM	Motor HP	Rec. Capacity, Gallons	Unit Model Number		Shipping Weight, lbs.			
					Simplex	Duplex	Simplex	Duplex		
2,000 4,000 6,000 8,000	20	3 6 9 12	1/3 1/3 1/3 1/3	6 6 15 15	4222-G 4224-G 4226-G 4228-G	- - 4226-GD 4228-GD	150 150 260 260	- - 295 295		
10,000 15,000 20,000		20	15 22.5 30	1/2 1/2 3/4	1524 36	42210-G 42215-G 42220-G	42210-GD 42215-GD 42220-GD	260 300 410	295 335 445	
25,000 30,000			20	37.5 45	3/4 1	36 36	42225-J 42230-J	42225-JD 42230-JD	350 355	420 430
40,000 50,000				20	60 75	1-1/2 2	50 50	42240-J 42250-J	42240-JD 42250-JD	420 425
2,000 4,000 6,000 8,000 10,000	30	3 6 9 12 15	1/2 1/2 1/2 1/2 3/4		6 6 15 15 15	4232-J 4234-J 4236-J 4238-J 42310-J	- - 4236-JD 4238-JD 42310-JD	165 165 295 295 300	- - 360 360 365	
15,000 20,000		30	22.5 30	1 1	24 36	2315-J 42320-J	42315-JD 42320-JD	305 355	380 430	
25,000 30,000			30	37.5 45	1 1-1/2	36 36	42325-J 42330-J	42325-JD 42330-JD	355 360	430 440
40,000 50,000		30		60 75	2 3	50 50	42340-J 42350-J	42340-JD 42350-JD	425 435	510 525
2,000 4,000 6,000 8,000 10,000			40	3 6 9 12 15	1 1 1 1 1	6 6 15 15 15	4242-J 4244-J 4246-J 4248-J 42410-J	- - 4246-JD 4248-JD 42410-JD	170 170 295 295 295	- - 360 360 360
15,000 20,000	40	22.5 30		1-1/2 1-1/2	24 36	42415-J 42420-J	42415-JD 42420-JD	310 360	390 440	
25,000 30,000		40		37.5 45	1-1/2 2	36 36	42425-J 42430-J	42425-JD 42430-JD	360 365	440 450
40,000 50,000	40			60 75	2 3	50 50	42440-J 42450-J	42440-JD 42450-JD	425 435	510 525
2,000 4,000 6,000 8,000 10,000		50		3 6 9 12 15	2 2 2 2 2	6 6 15 15 15	4252-J 4254-J 4256-J 4258-J 42510-J	- - 4256-JD 4258-JD 42510-JD	175 175 315 315 315	- - 395 395 395
15,000 20,000	50		22.5 30	2 3	24 36	42515-J 42520-J	42515-JD 42520-JD	330 370	415 460	
25,000 30,000			50	37.5 45	3 3	36 36	42525-J 42530-J	42525-JD 42530-JD	370 370	460 460
40,000	50			60	5	50	42540-J	42540-JD	445	535
50,000			50	75	5	50	42550-J	42550-JD	445	535

Sample Specification

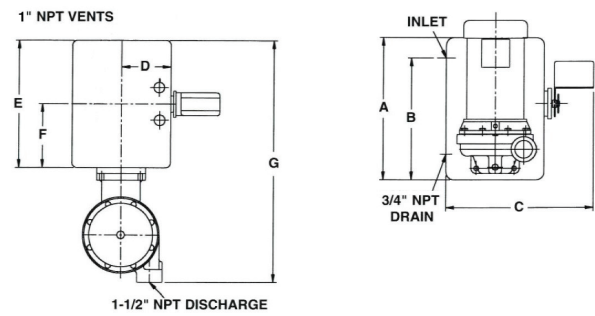
Furnish and install, where indicated on plans, a Sterling 4200 Series (simplex or duplex) condensate pump, having a capacity of _____ sq. ft. E.D.R. _____ GPM against a discharge pressure of _____ PSI. The receiver shall have a capacity of _____ gallons and be of heavy-duty cast iron construction. Pump(s) shall be of the centrifugal type with two-piece enclosed brass impeller, cast iron housing, high temperature (250°F) mechanical seal and stainless steel motor shaft. The float switch shall be two-pole with plastic case, stainless steel float and shaft, and double-break silver contacts. A flat perforated brass strainer shall be provided at the inlet to the pump from the tank. The motor(s) shall be vertical, 3450 RPM, _____ phase, _____ volt, 60 cycle, _____ H.P. The complete unit is to be factory assembled and tested prior to shipment.

Product Diagrams

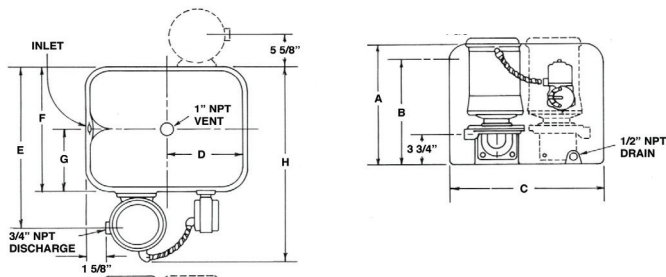
G series
6 gallon tank



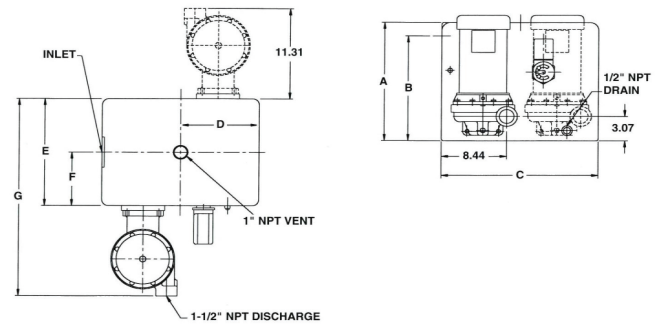
J series
6 gallon tank



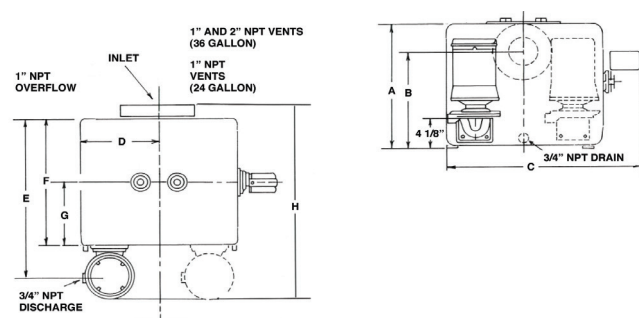
G series
13.5 gallon tank



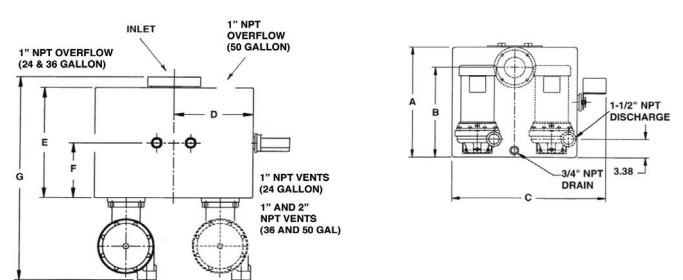
J series
13.5 gallon tank



G series
24-36 gallon tanks



J series
24-50 gallon tanks



Receiver	A	B	C	D	E	F	G	H	Inlet
6 G	14.50	12.50	14.50	4.80	18.25	12.62	6.31	20.44	2"
13.5 G	14.88	13.19	18.50	9.25	19.12	13.50	6.75	24.00	2"
24 G	19.13	15.63	25.84	10.50	20.04	15.00	7.50	22.82	2"
36 G	18.63	15.13	27.34	11.25	27.54	22.50	11.25	31.76	3"
6 J	14.50	12.50	14.50	4.82	12.62	6.31	24.06	N/A	2"
13.5 J	14.88	13.19	18.50	9.25	13.50	6.75	24.94	N/A	2"
24 J	19.13	15.63	25.84	10.50	15.00	7.50	26.44	N/A	2"
36 J	18.63	15.13	27.34	11.25	22.50	11.25	35.38	N/A	3"
50 J	18.63	15.13	27.34	11.25	31.00	15.50	43.88	N/A	3"