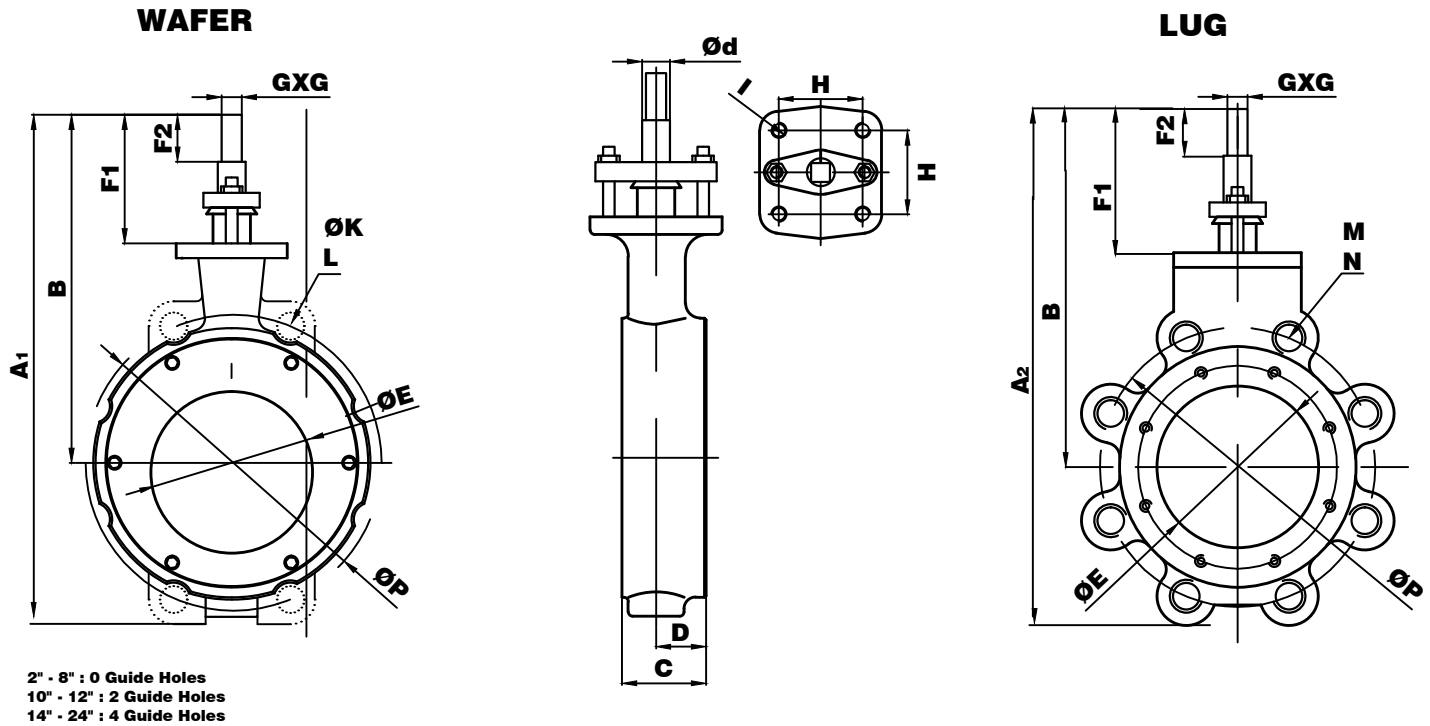


# High Performance Butterfly Valve

## Class 300 Dimensions



ANSI Class 300

Wafer Lug

Size	Wafer A1	Lug A2	B	C	D	øE	F1	F2	GXG	H	I	øK	L	M	N	øP	ød	Wt (lbs)	Wt (lbs)
2"	10.66	10.62	7.67	1.75	1.06	2.45	3.42	1.25	0.433	2.25	3/8"-16	X	X	5/8"-11	8	5	0.5	8	11
2.5"	10.38	10.38	7.67	1.88	1.09	2.91	3.42	1.25	0.433	2.25	3/8"-16	X	X	3/4"-10	8	5.88	0.5	8	11
3"	11.64	11.73	8.65	1.92	1.2	3.37	3.65	1.25	0.433	2.25	3/8"-16	X	X	3/4"-10	8	6.625	0.63	12	17
4"	12.98	13.18	9.48	2.13	1.26	4.25	3.73	1.25	0.433	2.25	3/8"-16	X	X	3/4"-10	8	7.875	0.63	17	24
5"	14.56	14.68	10.32	2.25	1.34	5.3	3.85	1.25	0.551	2.25	3/8"-16	X	X	3/4"-10	8	9.25	0.75	20	30
6"	15.78	15.78	10.86	2.29	1.38	6.4	3.85	1.25	0.669	2.25	3/8"-16	X	X	3/4"-10	12	10.625	1	30	49
8"	17.91	19.17	12.01	2.88	1.54	8.35	3.87	1.25	0.866	3.25	3/8"-16	X	X	7/8"-9	12	13	1.25	52	80
10"	20.85	21.36	13.5	3.25	1.7	10.16	4.12	1.62	1.063	3.25	3/8"-16	1"-8	2	1"-8	16	15.25	1.5	88	115
12"	25.64	25.64	15.83	3.62	1.86	11.93	4.83	2	1.063	4.25	1/2"-12	1 1/8"-8	2	1 1/8"-8	16	17.75	1.75	153	199
14"	28.85	28.85	17.77	4.62	2.48	13.94	4.83	2	1.417	4.25	1/2"-12	1 1/8"-8	4	1 1/8"-8	20	20.25	2	285	324
16"	31.21	31.21	18.91	5.25	2.59	15.59	4.91	2	1.417	5	3/4"-10	1 1/4"-8	4	1 1/4"-8	20	22.5	2.25	336	401
18"	35.91	35.91	22.46	5.88	3.03	17.48	7.32	2.5	1.811	5	3/4"-10	1 1/4"-8	4	1 1/4"-8	24	24.75	2.5	393	517
20"	38.61	38.61	24.05	6.31	3.24	19.45	7.66	2.5	1.811	5	3/4"-10	1 1/4"-8	4	1 1/4"-8	24	27	3	510	735
24"	44.7	44.7	27.27	7.19	3.62	23.3	7.89	3.01	1.811	5	3/4"-10	1 1/2"-8	4	1 1/2"-8	24	29.5	3.5	733	1020

