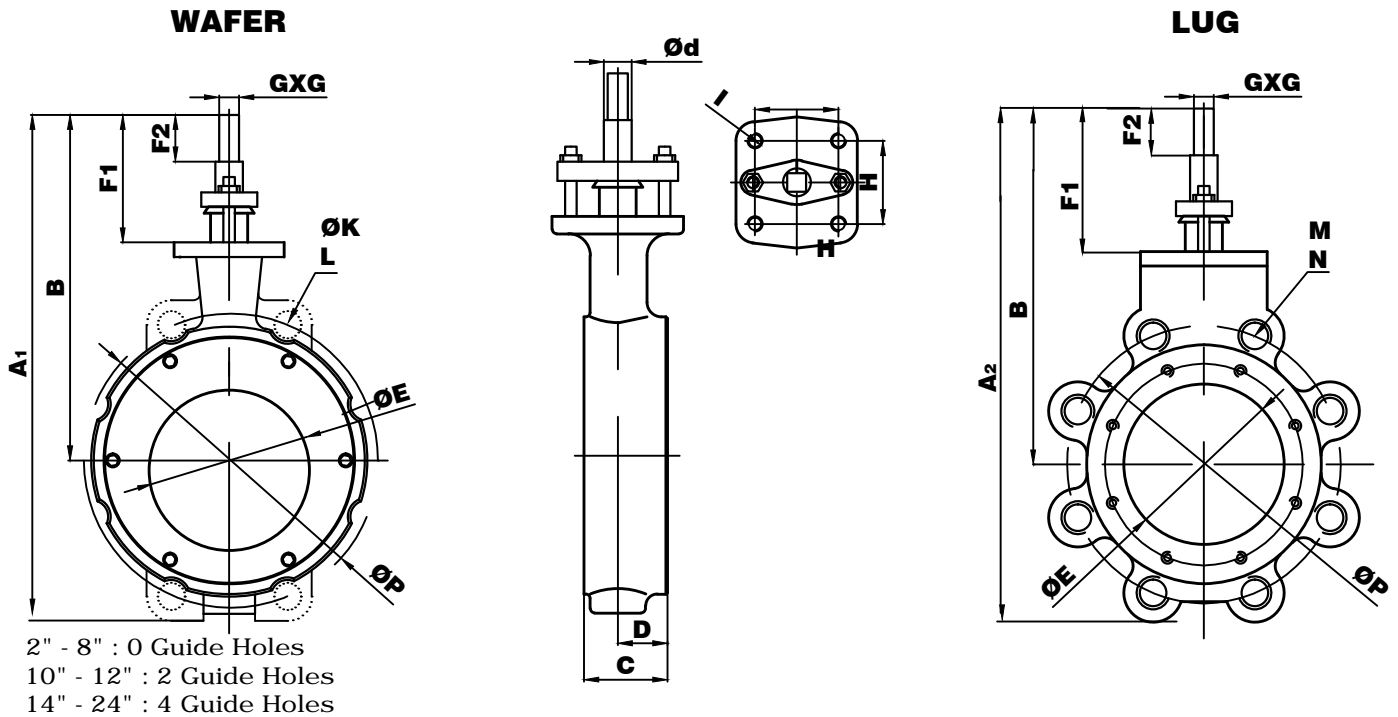


High Performance Butterfly Valve

Class 150 Dimensions



ANSI Class 150																	Wafer	Lug	
Size	Wafer A1	Lug A2	B	C	D	øE	F1	F2	GYG	H	I	øK	L	M	N	øP	ød	Wt (lbs)	Wt (lbs)
2"	10.67	10.67	7.67	1.75	1.06	2.45	3.42	1.25	0.433	2.25	3/8"-16	X	X	5/8"-11	4	4.75	0.5	8	11
2.5"	10.38	10.38	7.67	1.88	1.09	2.91	3.42	1.25	0.433	2.25	3/8"-16	X	X	5/8"-11	4	5.5	0.5	8	11
3"	11.6	11.68	8.65	1.92	1.2	3.37	3.65	1.25	0.433	2.25	3/8"-16	X	X	5/8"-11	4	6	0.63	11	13
4"	12.98	12.98	9.48	2.13	1.26	4.25	3.73	1.25	0.433	2.25	3/8"-16	X	X	5/8"-11	8	7.5	0.63	17	25
5"	14.57	15.2	10.32	2.25	1.34	5.3	3.85	1.25	0.551	2.25	3/8"-16	X	X	3/4"-10	8	8.5	0.75	20	30
6"	15.75	15.75	10.85	2.31	1.38	6.4	3.85	1.25	0.551	2.25	3/8"-16	X	X	3/4"-10	8	9.5	0.75	30	35
8"	17.55	18.01	12	2.5	1.49	8.35	3.87	1.25	0.669	2.25	3/8"-16	X	X	3/4"-10	8	11.75	1	44	48
10"	19.88	20.88	12.98	2.81	1.7	10.16	4.12	1.62	0.866	3.25	3/8"-16	OVAL	2	7/8"-9	12	14.25	1.25	71	91
12"	25	25	15.46	3.23	1.86	11.93	4.83	2	1.063	4.25	1/2"-12	OVAL	2	7/8"-9	12	17	1.5	110	127
14"	27.16	27.16	16.09	3.62	2.19	13.94	4.83	2	1.063	4.25	1/2"-12	OVAL	4	1"-8	12	18.75	1.5	135	183
16"	29.66	29.66	17.6	4	2.31	15.59	4.91	2	1.417	5	3/4"-10	OVAL	4	1"-8	16	21.25	2	182	250
18"	34.5	34.5	21.27	4.5	2.45	17.48	7.32	2.5	1.417	5	3/4"-10	OVAL	4	1 1/8"-7	16	22.75	2	234	305
20"	36.73	36.73	23.23	5	2.94	19.45	7.66	2.5	1.811	5	3/4"-10	1 1/8"-7	4	1 1/8"-7	20	25	2.5	320	414
24"	41.59	41.59	25.25	6.06	3.12	23.3	7.89	3.01	1.811	5	3/4"-10	1 1/4"-7	4	1 1/4"-7	20	29.5	3	505	702