

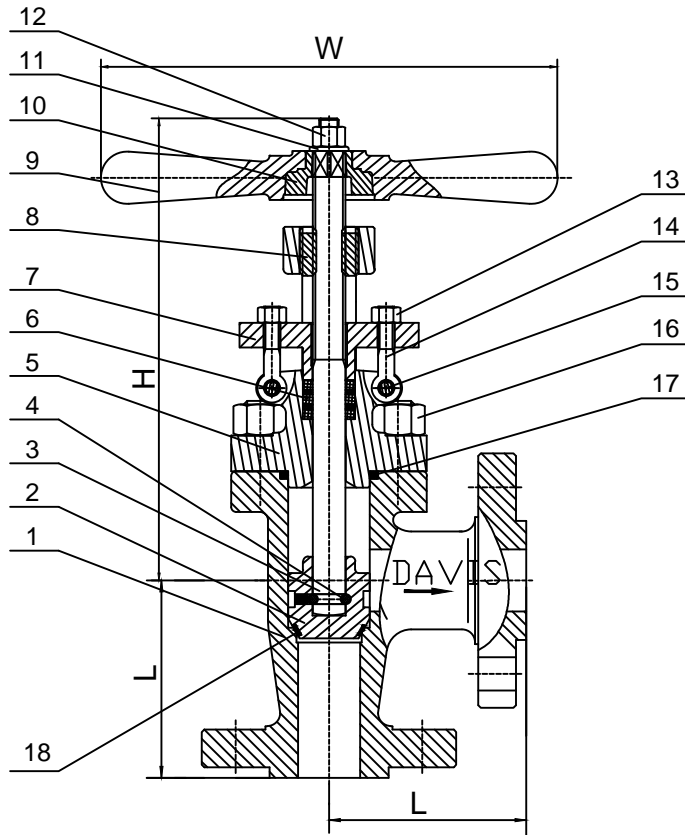
# Forged Steel Blow-Off Valve

Angle Type

300# & 600# Flanged

Model # 3ABFFS2

Model # 6ABFFS2



Davis blow-off valves comply with the following applicable specifications: API 602, API B16.5, MSS SP-25: Tested to API 598

NO.	NAME	MATERIAL
1	BODY	A105
2	DISC	F6+Stellite
3	STEM	F6
4	BALL	F304
5	BONNET	A105
6	PACKING	Soft Grafoil with S/Steel
7	GLAND FLANGE	WCB
8	STEM NUT	Bronze
9	HANDLE	Ductile Iron
10	IMPACT	Ductile Iron
11	GASKET	A29 1035
12	NUT	A194-2H
13	EYE NUT	A194-2H
14	EYE BOLT	A193-B7
15	PIN	A29 1035
16	BOLT	A193-B7
17	GASKET	304+Graphite
18	SEAT	A105+Stellite

## Class 300

### Figure #3ABFFS2

NPS	inch	1-1/2	2
	mm	40	50
H	inch	11.4	12.6
	mm	290	320
W	inch	11	11
	mm	280	280
L	inch	4.5	5.25
	mm	114	134
Weight	lbs	41	57
	kgs	18.6	26

Basic Steam Rating - 300 lb. at 850 F  
 Max Boiler Drum Pressure - 515 psi  
 Max Non-Shock - 720 lb. at 100 F

## Class 600

### Figure #6ABFFS2

NPS	inch	1-1/2	2
	mm	40	50
H	inch	11.4	12.6
	mm	290	320
W	inch	11	11
	mm	280	280
L	inch	4.75	5.75
	mm	121	146
Weight	lbs	43	59
	kgs	19.5	26.8

Basic Steam Rating - 600 lb. at 850 F  
 Max Boiler Drum Pressure - 970 psi  
 Max Non-Shock - 1440 lb. at 100 F