



800-228-8861
 502-968-2211
 rental.sales@wareinc.com
 www.wareinc.com

STOCK EQUIPMENT

WARE Offers New/Used Equipment In Stock

BOILER INFORMATION

Manufacturer Victory Energy
 Year 2019
 Type Saturated Steam
 Capacity 50 HP / 1,725 PPH
 Pressure 150 PSI
 Burner Powerflame LNIC2-GO-20B

CONNECTION SIZES

Main Steam 2" NPT
 Natural Gas 1-1/2" NPT
 #2 Oil 1" NPT
 Feedwater 1" NPT
 Bottom Blowdown 1-1/4" NPT
 Continuous Blowdown 1-1/2" NPT

FUEL CONSUMPTION

Natural Gas 2,100 SCFH
 #2 Oil 15 GPH

CONTROLS

Honeywell 7800 Series

ELECTRICAL POWER REQUIREMENTS

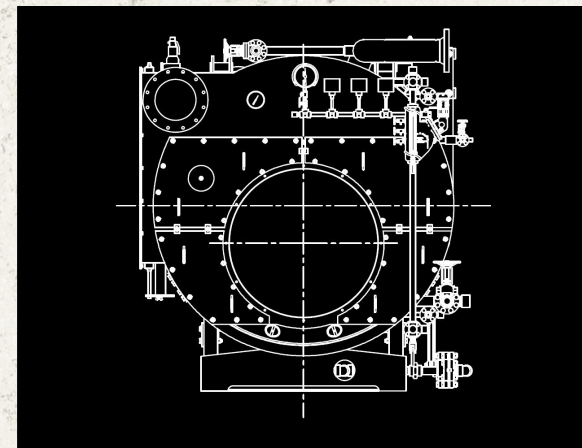
480V, 3 Ph, 60 Hz

EMISSIONS DATA

NOx .036# / mmBtu w/17% FGR
 SO2 .001# / mmBtu
 CO .15# / mmBtu
 PM .008# / mmBtu

BOILER OVERALL DIMENSIONS & WEIGHT

Length/Width/Height approx: 148" / 60" / 62"
 Shipping Weight ~4,700 lbs
 Operating Weight ~7,500 lbs



ADDITIONAL INFORMATION

SSB-45
 Model: F3-DB-542C-50-S150-SB-FGR

Firetube Boiler, 3-Pass, Dryback,
 50 BHP, 150 psig with a Powerflame Low
 NOx Natural Gas & #2 Oil burner system.
 Burner has a 6:1 turndown ratio and is
 rated for 2.1 mmBtu gas input.

Package meets UL & CSD-1 codes.

The boiler is offered with a one (1) year parts and motors warranty (less labor) and the pressure vessel is guaranteed to pass an ASME inspection.