



800-228-8861  
 502-968-2211  
 rental.sales@wareinc.com  
 www.wareinc.com

# STOCK EQUIPMENT

WARE Offers New/Used Equipment In Stock

## BOILER INFORMATION

Manufacturer Victory Energy  
 Year 2019  
 Type Saturated Steam  
 Capacity 800 HP / 27,600 PPH  
 Pressure 250 PSI  
 Burner PF LNICM11A-GO-30

## CONNECTION SIZES

Main Steam 10" 300# RF FL  
 Natural Gas 4" NPT  
 #2 Oil 1-1/2" NPT  
 Feedwater 2" 300# RF FL  
 Bottom Blowdown 2" 300# RF FL  
 Continuous Blowdown 1/2" NPT

## FUEL CONSUMPTION

Natural Gas 33,000 SCFH  
 #2 Oil 235 GPH

## ELECTRICAL POWER REQUIREMENTS

480V, 3 Ph, 60 Hz

## CONTROLS

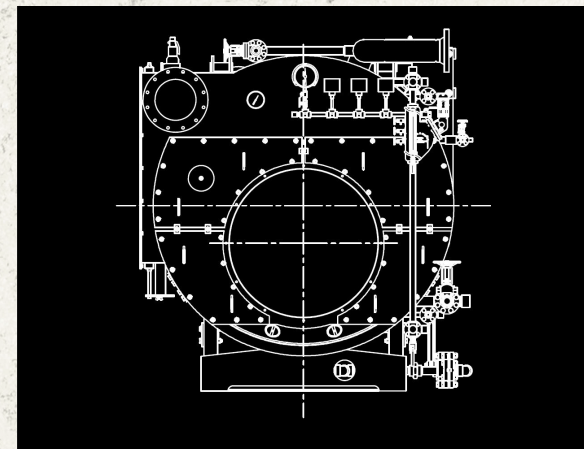
Honeywell 7800 Series

## EMISSIONS DATA

NOx .036# / mmBtu w/17% FGR  
 SO2 .001# / mmBtu  
 CO .15# / mmBtu  
 PM .008# / mmBtu

## BOILER OVERALL DIMENSIONS & WEIGHT

Length/Width/Height approx: 322" / 130" / 146"  
 Shipping Weight ~58,328 lbs  
 Operating Weight ~78,328 lbs



## ADDITIONAL INFORMATION

SSB-44  
 Model: F3-DB-5106C-800-S250-SB-FGR

Firetube Boiler, 3-Pass, Dryback,  
 800 BHP, 250 psig with a Powerflame  
 Low NOx Natural Gas & #2 Oil burner  
 system. Burner has a 6:1 turndown ratio  
 and is rated for 33 mmBtu gas input.

Package meets UL, NFPA, CSD-1 codes.

The boiler is offered with a one (1) year parts and motors warranty (less labor) and the pressure vessel is guaranteed to pass an ASME inspection.